



BCC-1

Broadcast Condenser Microphone

Marshall Electronics, Inc.
1910 East Maple Ave. El Segundo, CA 90245
Phone: (310) 333-0606 Fax: (310) 333-0688
E-mail: Sales@mxlmics.com
Internet: www.MXLmics.com

Thank you for purchasing your MXL BCC-1 Broadcast Condenser Microphone. Designed in our world class engineering facilities in California with the professional broadcaster in mind the BCC-1 has been designed to provide you with outstanding performance and exceptional value. The BCC-1 is an end address microphone featuring an internally shock mounted 22mm 6 micron capsule.

In addition the microphone features a switchable high pass filter (roll off) set at -6db octave at 150hz, this is useful for removing low frequency noise from for example air conditioning units as well as providing some reduction in proximity effect if required.

Power Requirements

IMPORTANT: This microphone requires phantom power at 48volts, +/- 4 volts. Each microphone has been thoroughly checked before shipping, so if you do not hear sound, check that phantom power on your mixer, preamp or separate power supply is switched on.

Microphone Cables

The microphone cable can have a profound effect on the sound of any microphone. Even the finest microphones will sound poor if the interconnect cable allows noise to enter or causes distortion and loss of information. Use only the best microphone cable your budget will allow. We highly recommend using Mogami® brand cable.

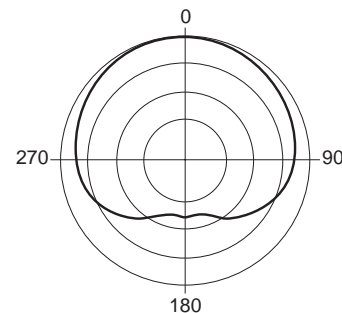
Care

Dust and foreign material can serious degrade the performance of a microphone over time so always store the unit in a warm dry place. To remove fingerprints from the exterior use a clean dry soft cloth.

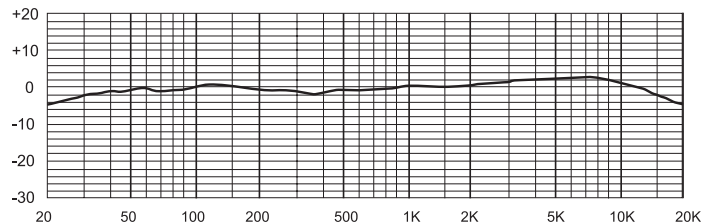
MXL BCC-1 Specifications

Type:	Pressure gradient condenser mic
Diaphragm:	Gold-sputtered, 6 micron diaphragm
Frequency Range:	20 Hz-20 kHz
Polar Pattern:	Cardioid
Sensitivity:	-49dB re 1 V/Pa
Impedance:	150 ohms
Equivalent Noise Level:	-16dBA (A-weighted IEC 651)
Max SPL for 0.5% THD:	148dB SPL
High Pass Filter:	6dB/Octave @ 150Hz
Power Requirements:	Phantom Power 48V ± 4V
Current Consumption:	5.2mA
Size:	200mm x 54mm / 7.87in x 2.13in (Not including mounting bracket)
Weight:	1.6lbs / 720g
Metal Finish:	Nickel Plated

Polar Pattern



Frequency Chart



Warranty

Marshall microphones are guaranteed against defects in material and workmanship for three years from date of purchase. Should you encounter any problem with this unit, promptly contact the company you purchased it from for assistance. The original dated sales receipt will be necessary for any warranty claim. Do not send any unit directly to us without prior authorization from our service department! Warranty coverage is limited to repair or replacement (at our option) of the microphone, and does not cover incidental damages due to use of this unit, nor damage caused by accidental misuse of this product.